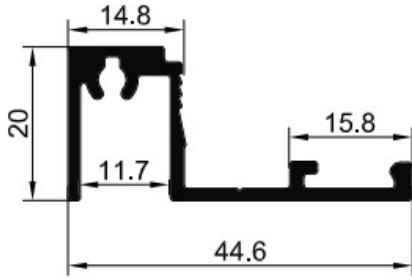
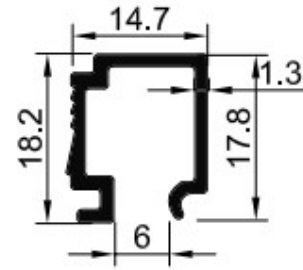


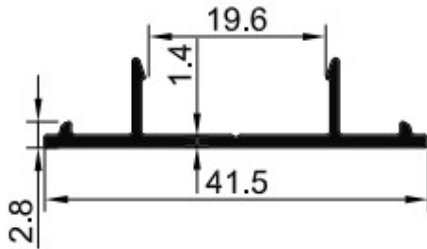
SLIM SECTION



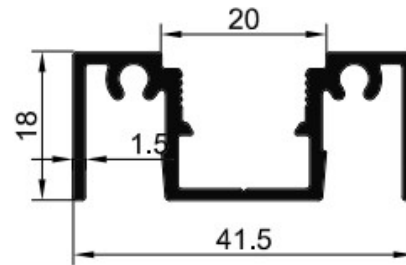
SI NO	SECTION NO.	WEIGHT(KG/M)
1	5801	0.461



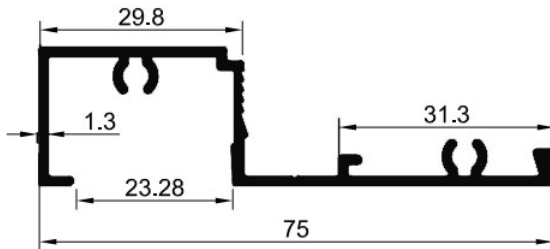
SI NO	SECTION NO.	WEIGHT(KG/M)
1	5803	0.204



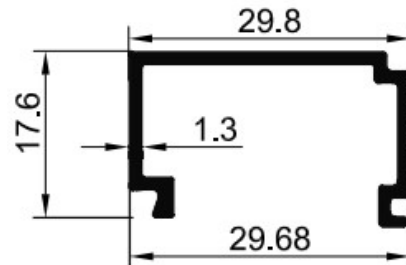
SI NO	SECTION NO.	WEIGHT(KG/M)
1	5805	0.204



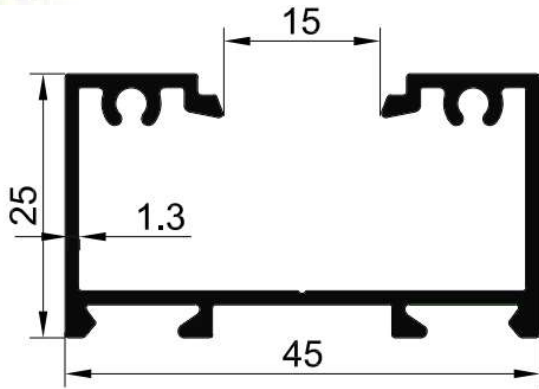
SI NO	SECTION NO.	WEIGHT(KG/M)
1	5807	0.527



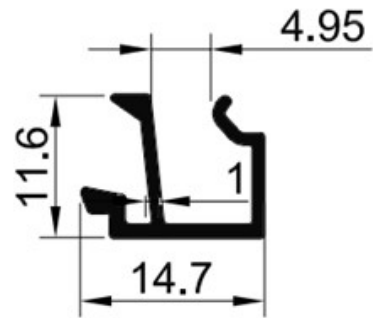
SI NO	SECTION NO.	WEIGHT(KG/M)
1	5809	0.533



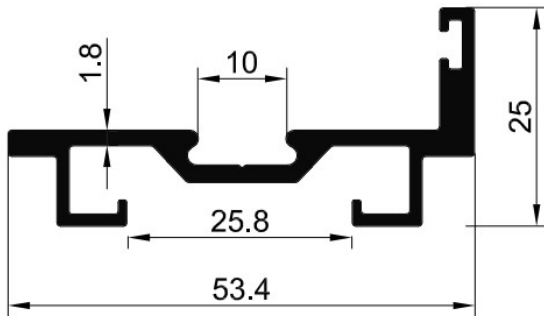
SI NO	SECTION NO.	WEIGHT(KG/M)
1	5811	0.249



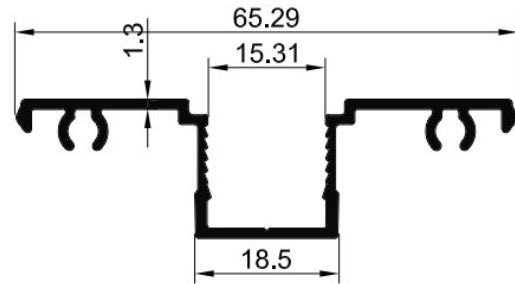
SI NO	SECTION NO.	WEIGHT(KG/M)
1	5851	0.554



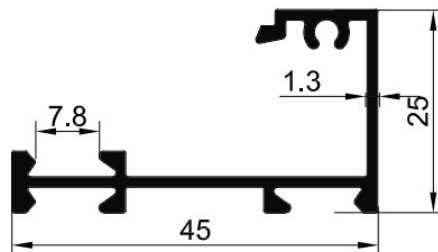
SI NO	SECTION NO.	WEIGHT(KG/M)
1	5853	0.128



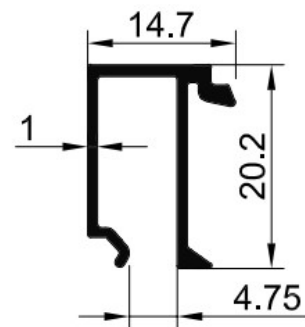
SI NO	SECTION NO.	WEIGHT(KG/M)
1	5813	0.608



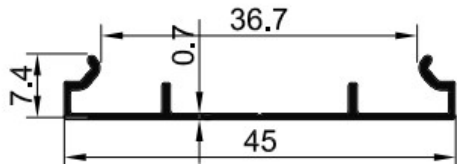
SI NO	SECTION NO.	WEIGHT(KG/M)
1	5817	0.449



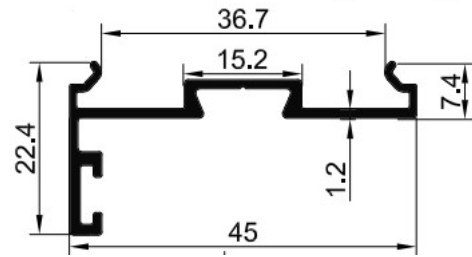
SI NO	SECTION NO.	WEIGHT(KG/M)
1	5855	0.435



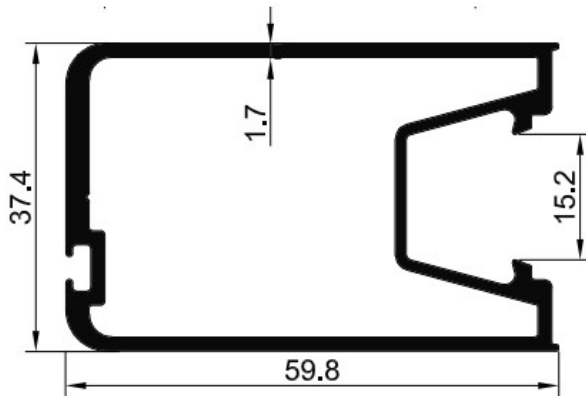
SI NO	SECTION NO.	WEIGHT(KG/M)
1	5857	0.128



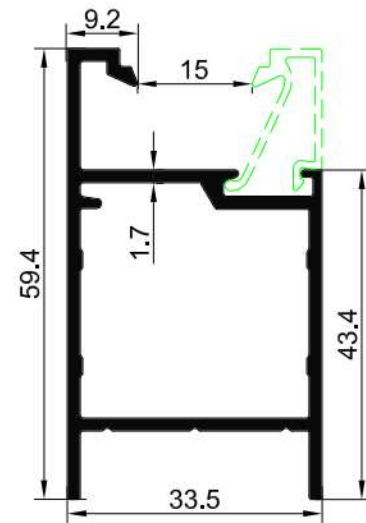
SI NO	SECTION NO.	WEIGHT(KG/M)
1	5861	0.147



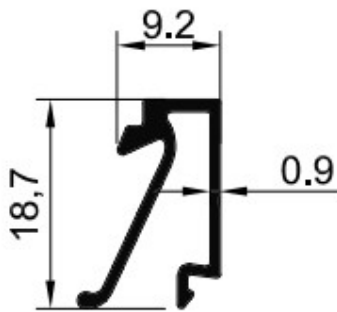
SI NO	SECTION NO.	WEIGHT(KG/M)
1	5863	0.316



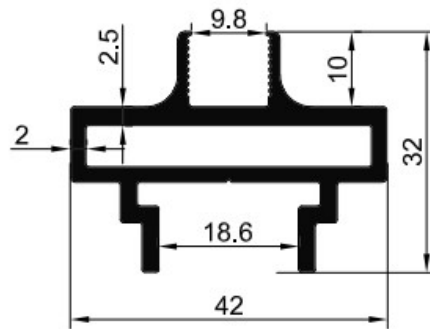
SI NO	SECTION NO.	WEIGHT(KG/M)
1	5865	1.075



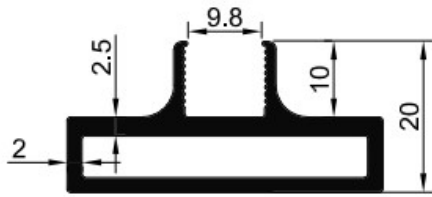
SI NO	SECTION NO.	WEIGHT(KG/M)
1	5867	0.834



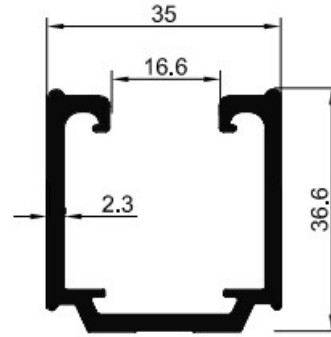
SI NO	SECTION NO.	WEIGHT(KG/M)
1	5869	0.145



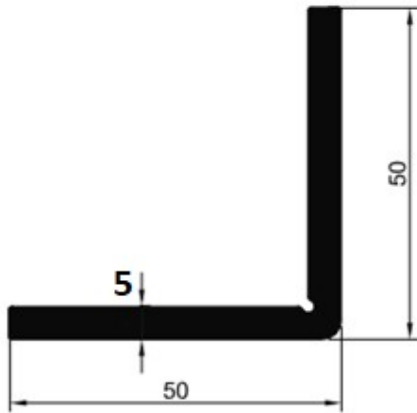
SI NO	SECTION NO.	WEIGHT(KG/M)
1	2442	0.841



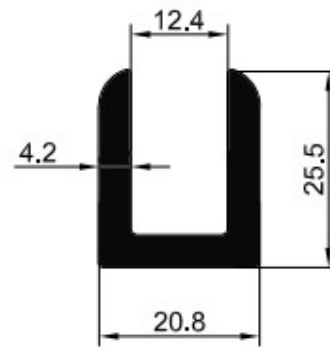
SI NO	SECTION NO.	WEIGHT(KG/M)
1	2444	0.664



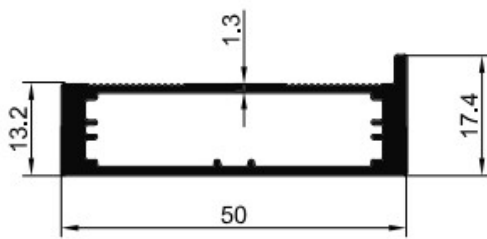
SI NO	SECTION NO.	WEIGHT(KG/M)
1	2448	0.787



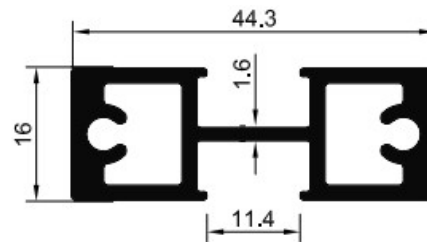
SI NO	SECTION NO.	WEIGHT(KG/M)
1	2452	1.270



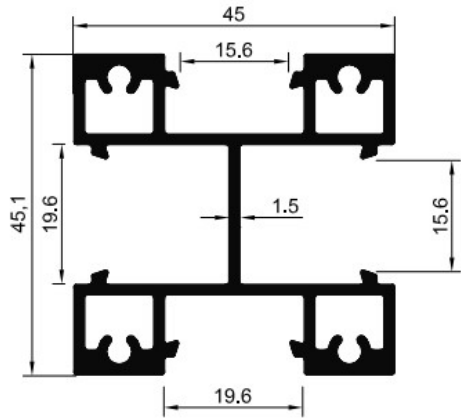
SI NO	SECTION NO.	WEIGHT(KG/M)
1	2454	0.694



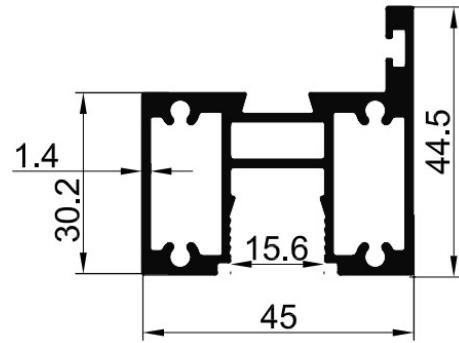
SI NO	SECTION NO.	WEIGHT(KG/M)
1	2456	0.596



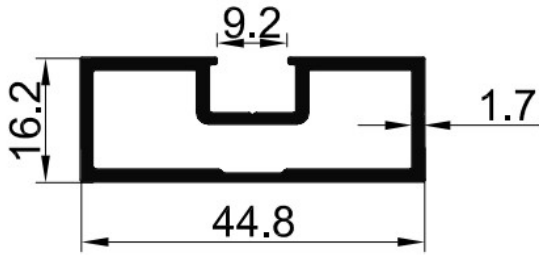
SI NO	SECTION NO.	WEIGHT(KG/M)
1	2608	0.760



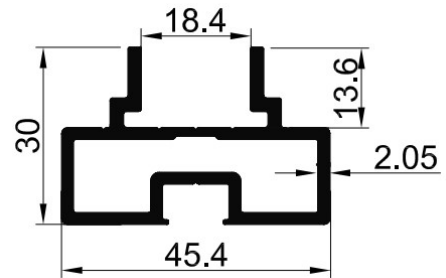
SI NO	SECTION NO.	WEIGHT(KG/M)
1	2612	1.245



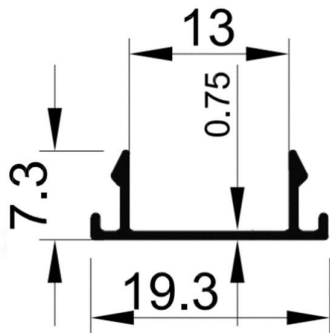
SI NO	SECTION NO.	WEIGHT(KG/M)
1	2614	1.150



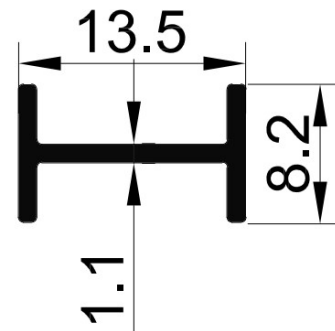
SI NO	SECTION NO.	WEIGHT(KG/M)
1	2616	0.579



SI NO	SECTION NO.	WEIGHT(KG/M)
1	2617	0.905



SI NO	SECTION NO.	WEIGHT(KG/M)
1	2610	0.077



SI NO	SECTION NO.	WEIGHT(KG/M)
1	5871	0.081